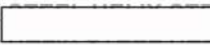


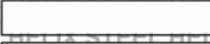
LEGEND:



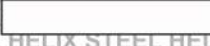
A - BOLT DIAMETER



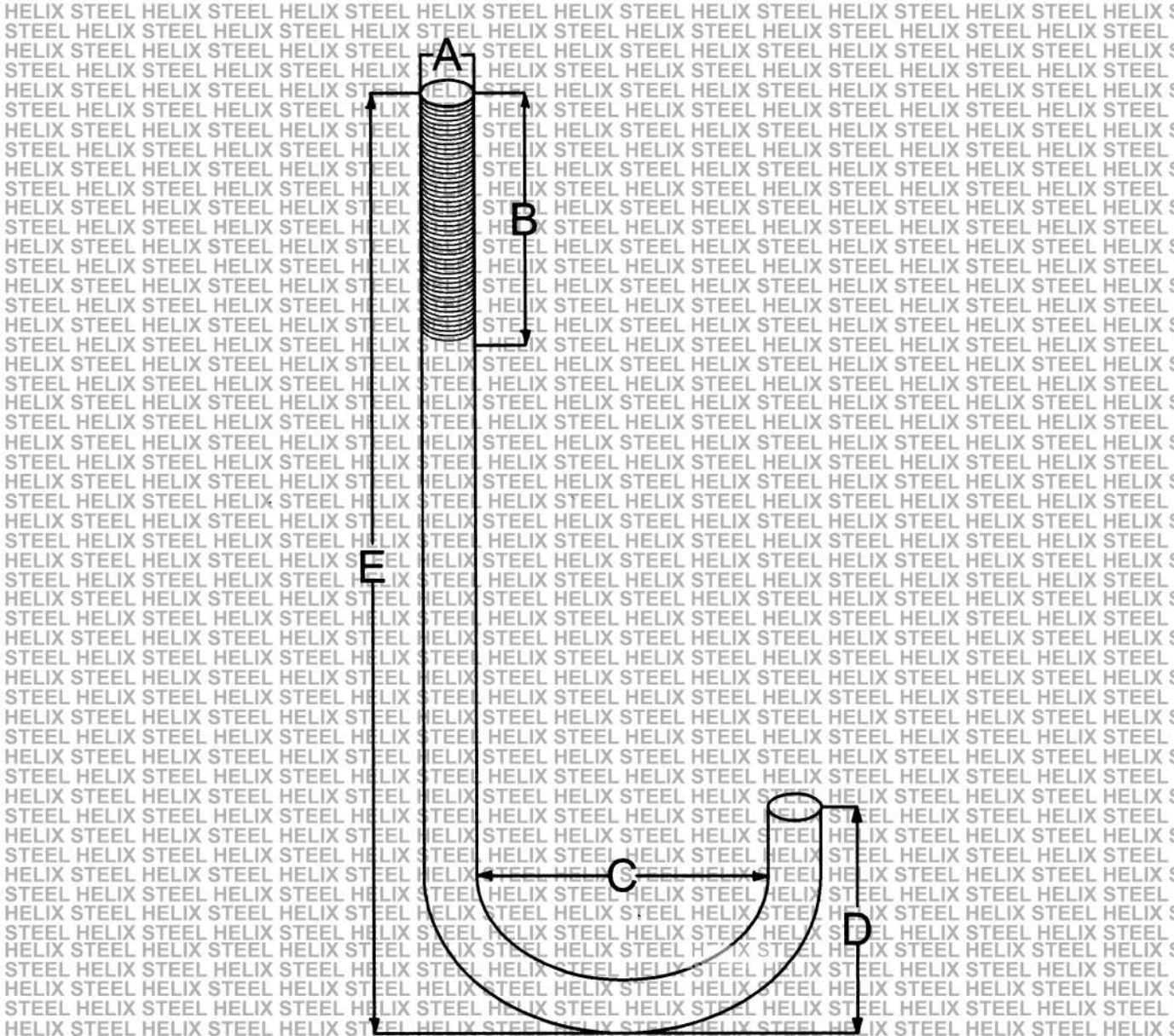
B - THREAD LENGTH



C - HOOK LENGTH



D - HEIGHT



LEGEND:

-  A - BOLT DIAMETER
-  B - THREAD LENGTH
-  C - OPENING DIAMETER
-  D - BEND HEIGHT
-  E - HEIGHT