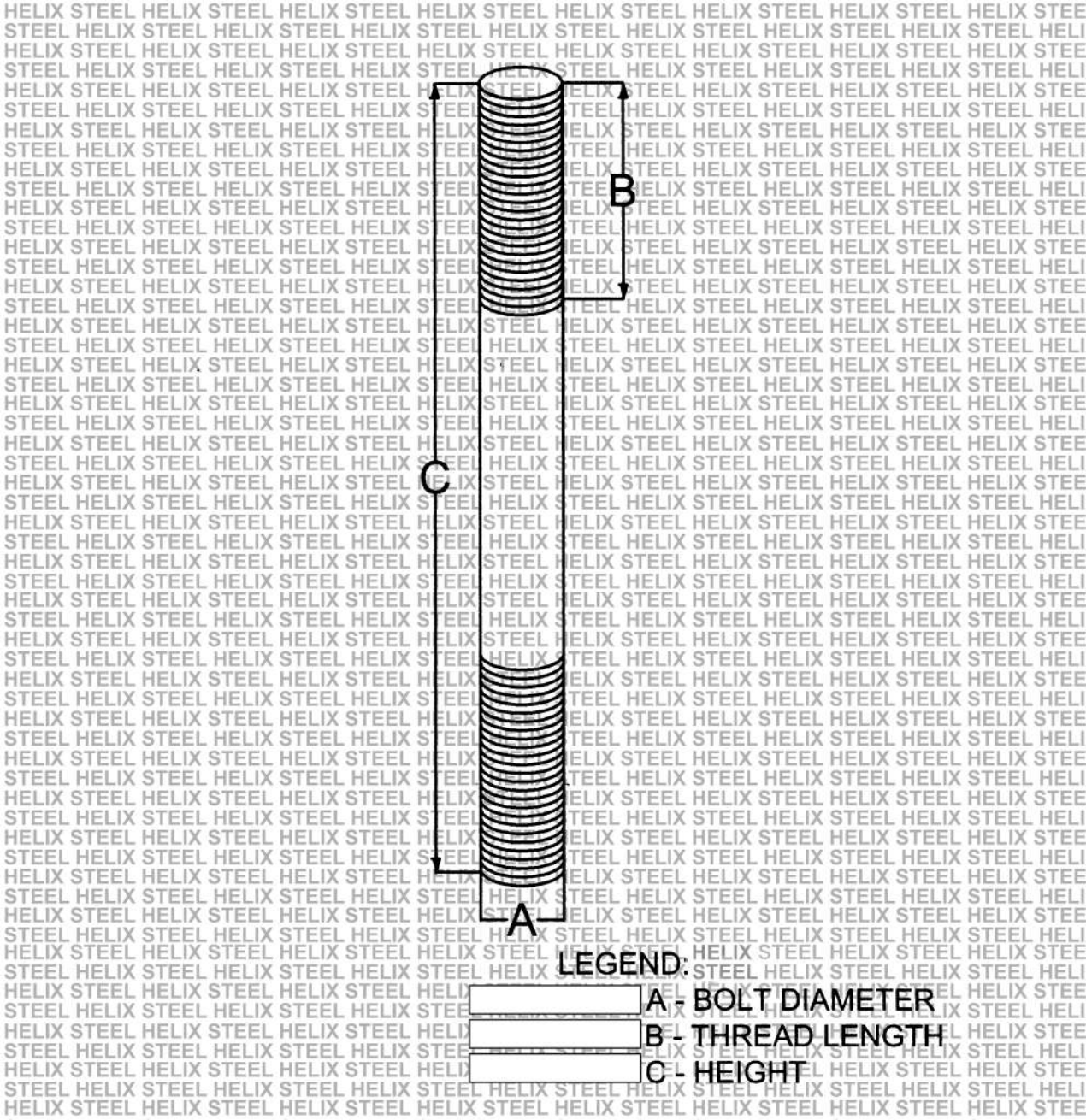


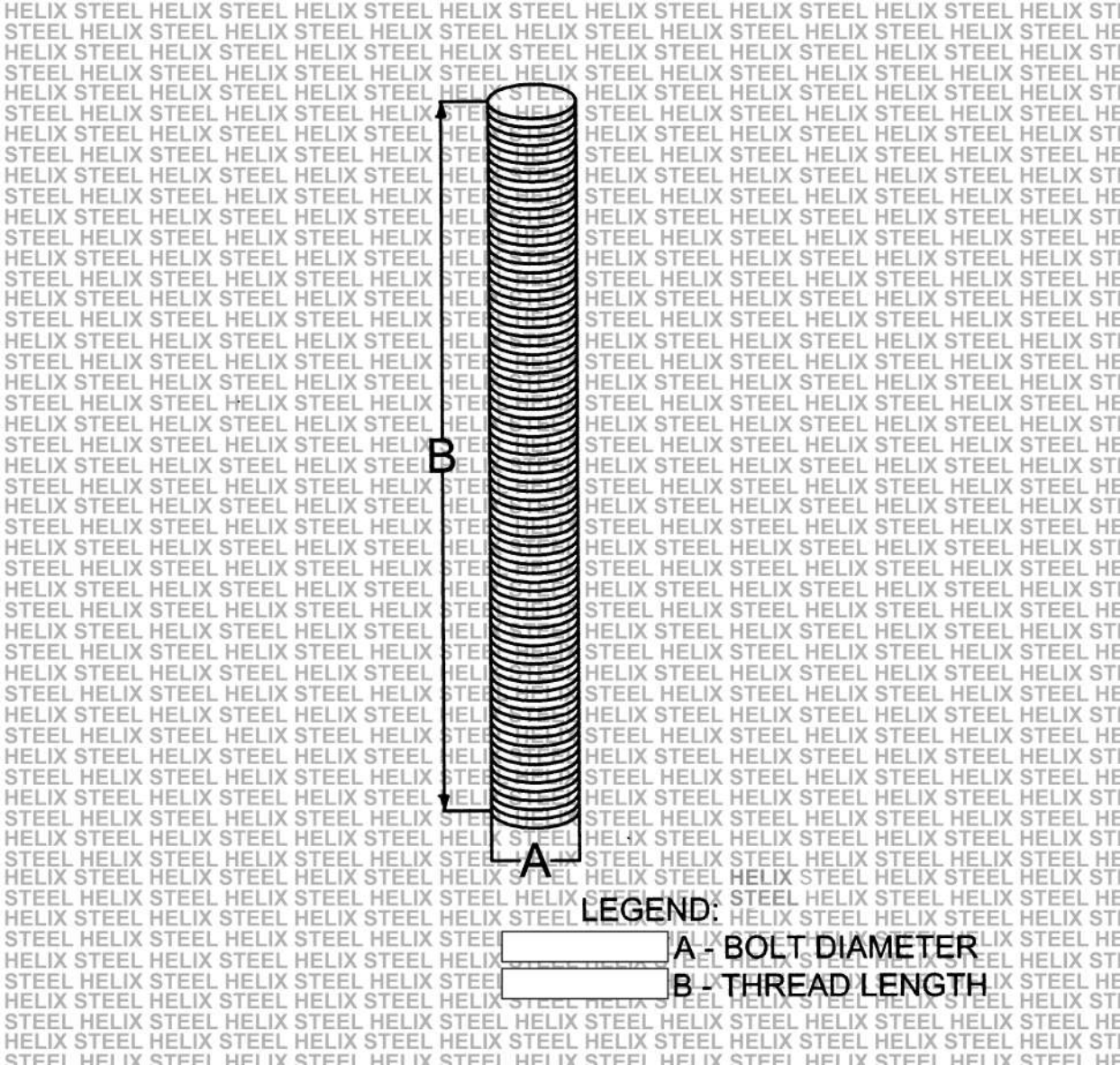
LEGEND:

-  A - BOLT DIAMETER
-  B - THREAD LENGTH
-  C - HEIGHT

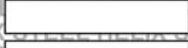


LEGEND:

-  A - BOLT DIAMETER
-  B - THREAD LENGTH
-  C - HEIGHT



LEGEND:



A - BOLT DIAMETER



B - THREAD LENGTH